

CURRICULUM VITAE

**Yasir Mehboob
Land Surveyor**

Contact: +966-546681519
Email: Yk0786900@gmail.com



Personal Profile:

Father's Name Mehboob Ahmed
Nationality Pakistani
Date of Birth 28 November 1991
Language English and Urdu

Educational Profile:

- **HSSC** faculty in Arts from Board of Intermediate & Secondary Education, Rawalpindi.
- **SSC** from Board of Intermediate & Secondary Education, Rawalpindi.
- **01 Year Diploma** in Civil Surveyor from Pakistan Mineral and Development Corporation (PMDC) Khewra.
- **06 Month Diploma** in Computer Sciences (MS Word, MS Excel, MS PowerPoint Point, and English Typing)

Objectives:

I want to excel in the field as a **Land Surveyor** by using my skills that reflect competency, dedication and credibility to the best degree, I want to disseminate the knowledge I acquired most effectively, at whatever level possible.

Work Experience:

I have a total of **10** years of experience in structural buildings, Infrastructure Works and roads as a **Land Surveyor** in different concerns.

Key Skills:

- Knowledge and use of all types of Survey Instruments.
- Can work under pressure
- Problem Solving
- Excellent Interpersonal Skills

Experience Detail:

Project: Green Riyadh (Al Ghadir & Al Nakheel)
Consultant: Parson
Main Contractor: Nabatat Contracting Company
Client: Royal Commission for Riyadh City (RCRC)
Period: 12th Sep 2023 to Date
Position: Land Surveyor
Type Of Work: Landscaping, Parks and Irrigation

Parks

Tree pits, Electric Cables, irrigation line, Sub-base, Lean concrete, Curbstone and Interlock

Road Work

Tree Pits, Asphalt demolition, Sub-base, Lean top, Curbstone, Ramps, Interlock

Responsibilities:

Perform duties related to land surveying to identify work

Topography survey for roads, and highlight everything on map

Topography for manholes, doors entrance area, steps, Ramps, light poles, Curbstone, Tree pits and perform all other terrains related to survey works

Shifting of Benchmarks

Consult with Site Engineers for better execution of work at site

Coordination with draftsman to assure work progress and Make RFI's for timely completion of the site activities

Discuss the site issues with Chief Surveyor for taking remedial measurements to avoid any delay in execution of the project activities

Project: Border Crossing Facilities (BCF) Terminal Project Torkham Under CAREC And RIBS
Consultant: Construction Supervision Consultant (CSC)
Main Contractor: National Logistics Cell (NLC)
Client: Federal Board of Revenue (FBR)
Period: 5th May 2019 to 15th Aug 2023
Position: Surveyor
Type Of Work: Terminal Work

Road Work

NSL, NGC, Embankment Layers, Sub-Grade, Sub-Base, Aggregate & Asphalt works.

Flyover, Culverts & Retaining Wall

Excavation, borehole pilling, Shaft work, Lean concretes, wall layout.

Building

Excavation, Lean concretes, Layout, slabs, Columns, Beams

Responsibilities:

Perform duties related to land surveying for identifying works

Calculate the depths and heights of relative positions

Shifting of benchmarks for surveying works

Excavation of culverts and retaining Walls

Demarcation of Piling, Pile caps, Beams, Columns, Slab, Drains and all other components of the projects.

Project: DI Khan to Islamabad Motorway Package-1 China Pakistan Economic Corridor (CPEC)
Consultant: NESPAK
Main Contractor: National Logistics Cell (NLC)
Sub-Contractor: Burki Construction Company (BCC)
Client: National Highway Authority (NHA) Pakistan
Period: 19th January 2018 to 26th April 2019
Position: Land Surveyor
Type Of Work: Road

NSL, NGC, traversing, contouring works, Embankment Layers, Sub Grade, Sub-Base, Aggregate & Asphalt works

Culverts & Underpasses

Excavation, Lean concretes, slabs, walls, Electrical poles, ducts, curb stones,

Project: DI Khan to Islamabad Motorway Package-1 China Pakistan Economic Corridor (CPEC)
Consultant: NESPAK
Main Contractor: National Logistics Cell (NLC)
Client: National Highway Authority (NHA) Pakistan
Period: 24th September 2016 to 20th August 2017
Position: Land Surveyor
Type Of Work: Road

Bridge

Piling, Pile Caps, Piers, Abutments, Transom Concrete and bearing Pads, and Preparation of Girders are all activities related to Bridge works.

Road

NSL, NGC, traversing, Contouring works, Embankment Layers, Sub-grade, Sub-Base, Aggregate and asphalt work.

Culverts & Underpasses

Excavation, Lean concretes, slabs, walls, electrical poles, curb stones.

Project: New Islamabad International Airport (NIIAP)
Consultant: Mott MacDonald Pakistan (MMP)
Main Contractor: Frontier Works Organization (FWO) & China State (CSCEC) joint venture
Client: Civil Aviation Authority (CAA)
Period: 16th February 2015 to 9th August 2016
Position: Assistant Surveyor

Responsibilities:

Perform duties related to land surveying for identifying ownership and property boundaries. Support field measurements and layouts.

Conduct basic calculations using field note data.

Calculate heights, depths of relative positions and other characteristics of terrain.

Determine longitudes and latitudes of important features and boundaries in Survey Areas

Using total stations, levels for shifting of benchmarks to identify surveying works.

Reference will be available on request.

HSSC No:- 391793 بِسْمِ اللّٰهِ الرَّحْمٰنِ الرَّحِیْمِ C.NO. : 166221-1316841



Board of Intermediate and
Secondary Education, Rawalpindi
Intermediate Certificate Examination
ANNUAL 2013



Certified that YASIR MEHBOOB
Son/Daughter of MEHBOOB AHMED
whose particulars are given below has passed the Intermediate Certificate Examination held in the
month of MAY-JUNE, 2013 Securing 489 Marks (FOUR HUNDRED EIGHTY-NINE)
Roll No 742202 Registration No. 13092194265
Group of Subjects HUMANITIES Regular / Private PRIVATE
As a whole / In Parts AS A WHOLE Grade awarded D
District/Institution CHAKWAL

SUBJECT - WISE DETAIL OF MARKS OBTAINED

S.NO	NAME OF THE SUBJECT	MAXIMUM	OBTAINED
1	URDU	200	098
2	ENGLISH	200	087
3	ISLAMIC EDUCATION	50	042
4	PAKISTAN STUDIES	50	027
5	CIVICS	200	068
6	ISLAMIC STUDIES (HUM. GROUP)	200	089
7	EDUCATION	200	078
	TOTAL	1100	489

Rawalpindi Dated 4 AUG, 2016

Zana Javied

SECRETARY

Note:- This certificate is issued without alteration/erasure.

SSC No:- 598142

بِسْمِ اللَّهِ الرَّحْمَنِ الرَّحِيمِ

C.No. 833935/979242



Board of Intermediate and Secondary Education, Rawalpindi

SECONDARY SCHOOL CERTIFICATE EXAMINATION
SUPPLEMENTARY 2009



Certified that YASIR MEHBOOB
Son/Daughter of MEHBOOB AHMED whose particulars
are given below has passed the Secondary School Certificate Examination
held in the month of SEP-OCT, 2009 Roll No 205974 Securing 483
Marks (FOUR HUNDRED EIGHTY-THREE) Grade awarded D
Registration No. 09142720012 Group of Subjects SCIENCE
As a whole / In Parts IN PARTS Regular / Private PRIVATE
District/Institution CHAKWAL

Date of birth (in figures) 28-11-91 (in words) 28th Nov
One thousand nine hundred and NINETY-ONE

SUBJECT - WISE DETAIL OF MARKS OBTAINED

S.NO	NAME OF THE SUBJECT	MAXIMUM	OBTAINED
1	ENGLISH (COMPULSORY)	150	090
2	URDU (COMPULSORY)	150	090
3	PAKISTAN STUDIES	075	028
4	ISLAMIYAT (COMPULSORY)	075	037
5	MATHEMATICS (COMPULSORY)	150	045 *
6	PHYSICS	150	064
7	CHEMISTRY	150	069
8	BIOLOGY	150	060
TOTAL		1050	483

* NOTIONAL GRACE MARKS AWARDED



Rawalpindi, dated: MAY 23, 2013

SECRETARY

Note:- This certificate is issued without alteration/erasure.



Certificate No. 43



Bell No. 100

Pakistan Mineral Development Corporation

INSTITUTE OF SURVEYING

Khewra (Distt. Jhelum)

Session 2014 **ANNUAL/SUPPLEMENTARY**

This is to certify that Mr. YASIR MEHBOOB
son of MEHBOOB AHMED whose date of birth is (28.11.1991) 28th NOVEMBER

Nineteen Hundred and NINETY ONE has passed one year prescribed course of **SURVEYING** Pertaining to subjects described hereunder.

He has been placed in the Grade/Marks "B"459/700 in the ANNUAL Examination held in DECEMBER, 2014 He has passed in full / parts.

is awarded at Khewra, on this 19th day of OCTOBER 20 15

Marks Obtained		Marks Obtained	
1. Elements of Surveying	58 /100	5. Elements of Mining	65 /100
2. Mensuration & Estimation, Drawing	64 /100	6. Islamiat	90 /100
3. Mathematics	40 /100	7. Practical Viva / Auto Cad	59 /100
4. Mine Surveying	83 /100		

Muhammad Yaqub
General Manager (A&E)
Pakistan Mineral Development Corporation
13-H/9, Islamabad.

In recognition thereof this
CERTIFICATE OF SURVEYOR



[Signature]
PRINCIPAL
P. M. D. C.
INSTITUTE OF SURVEYING
KHEWRA (Distt. Jhelum)

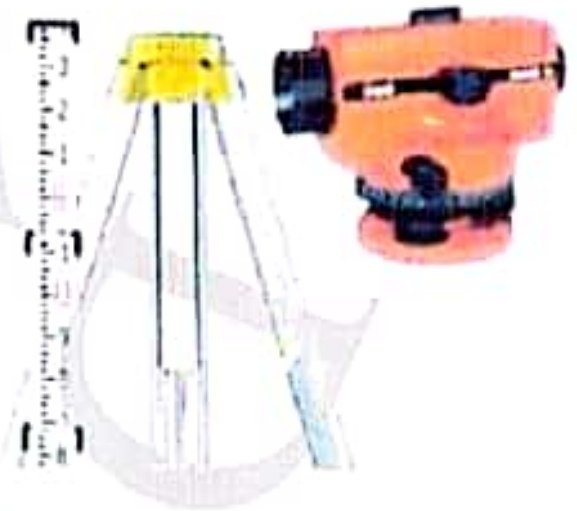




MALIK SURVEY ACADEMY

TO WHOM IT MAY CONCERN

NAME: YASIR MEHBOOB
FATHER NAME: MEHBOOB AHMED
REF # : MSA/2014/0050

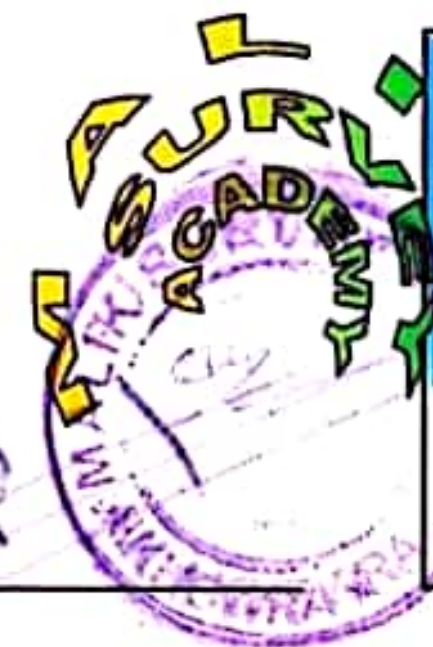


DURATION 21-08-2014 TO 30-11-2014

CONTENTS:

- ✓ Total Station
- ✓ Field Work
- ✓ Levels (All Types)
- ✓ Theory

Principal:



Reg.#ITTI: 5963



Date: Dec. 31 ,2013

Centre in Computer & Technical Excellence

Info . Tech

TECHNICAL INSTITUTE

Affiliated with Trade Testing Professional Council
Skill Development Association(SDA)

has conferred upon

Mr. YASIR MEHBOOB

Son of MEHBOOB AHMED

*Who has satisfactorily pursued the studies and passed the
examination required*

Diploma In Computer Sciences

WINDOWS, MS.OFFICE (Ms Word, Ms Excel, Ms Power Point)

MS ACCESS, INPAGE, NET SURFING, ENGLISH TYPING.

*with all rights, privileges and honours
thereunto appertaining.*

Session July 2013

to

31 December 2013

INSTRUCTOR



DIRECTOR

Tel: + 92 543-553975
3rd Floor District Council Plaza Chakwal
For online Verification : www.infotechchakwal.com



In step with
tomorrow

TO WHOM IT MAY CONCERN

This is to certify that Mr. Yasir Mehboob S/o Mehboob Ahmed has served in National Logistics Cell (NLC) as Surveyor on the Border Crossing Facility Project Torkham with effect from 05 May 2019 to 15 Aug 2023. During his tenure, we found him very hard and good employee.

His conduct during his period has been exceptional and he performed his duties in a very professional manner. He willingly sacrifices his personal interest and comfort for performance of his duties.

This certificate has been issued to the above named individual as proof of his service for the above mentioned period and experience only.

We wish him all the best in his future endeavors.

Station: PMU NLC Torkham

Dated: 15 Aug 2023



Major
Project Manager
(Khurram Zahid)



BURKI CONSTRUCTION COMPANY

Chief Executive
Shoukatullah Burki
0346-4444644

Ref:
Date: 26-4-2019

TO WHOM IT MAY CONCERN

This is to certify that Yasir Mehboob S/O Mehboob Ahmed has served in Burki Construction Company (BCC) as a **Surveyor** on the Project of China Pakistan Economic Corridor (CPEC) Package-1 (Yarik to Rehmanikhel) 55 Km Road Project with effect from **19 January 2018** to **26 April 2019**. During his tenure we found him very hard working and good employee.

His conduct during the stay in CPEC Project has been exceptional and he performed his duties in a diligent and very proficient manner with vim and zeal. His pleasant personality and good moral character with his work attitude is role ideal for others. We found him very effective and intelligent.

We wish him success in his future deeds.

BURKI
CONSTRUCTION COMPANY
Shaukatullah

Project Manager
Burki Construction Company (BCC)

Office # 1, 1st Floor Geo Madina Tower G.T. Road, Tarnol Islamabad
Email: burkiconstruction@gmail.com



TO WHOM IT MAY CONCERN

HR-9229 Yasir Mehboob S/O Mehboob Ahmed (CNIC: 37201-6372837-1) has served with China-Pak Economic Corridor (CPEC) Package-1 (D I Khan) as Surveyor for a period from 24 September 2016 to 20 August 2017.

He was found to be intelligent, energetic and well devoted to his work. His performance as Surveyor was excellent. He willingly sacrifices his personal interest and comfort for performance of his duties.

This certificate has been issued to the above name individual as proof of his service for the above mentioned period and experience only.

Dated: 19 August 2017




Col
DD CPEC Pkg-1
(Muhammad Kamal Khalid)

BBIA

بے نظیر بھٹو انٹرنیشنل ایئر پورٹ
BENAZIR BHUTTO INTERNATIONAL AIRPORT

TO WHOM IT MAY CONCERN

This is to certify that Yasir Mehboob S/O Mehboob Ahmed has served in FRONTIER WORKS ORGANIZATION as Asst Surveyor on the project of Project Director Headquarter (New Islamabad International Airport Project) with effect from 16th February 2015 till 9th August 2016. During his tenure we found him very hard working and good employee.

His conduct during the stay in Project Director Headquarter (New Islamabad International Airport Project) has been exceptional and he performed his duties in a professional manner. His pleasant personality and good moral character with his work attitude is role model for others, we found him very effective and intelligent.

We wish him success in his future endeavors.

Dated: 09 August 2016



Lieutenant Colonel (R)
Project Manager
Syed Rasool

هوية مقيم

رقم النسخة ١

المملكة العربية السعودية



وزارة الداخلية

ياسير مبوب مبوب أحمد

YASIR MEHBOOB MEHBOOB AHMED



تاريخ الانتهاء: ٢٠٢٥/١١/٢٩

مكان الميلاد: باكستان

الديانة: الاسلام

رقم الهوية: ٢٥٥٦٢٤٨٨٤٣

تاريخ الميلاد: ١٩٩١/١١/٢٨

الجنسية: باكستان

المهنة: مشرف صيانة

هوية صاحب العمل: ٧٠٠٨١٠٥٢٩٣

مكان الإصدار: شركة العلم لامن المعلومات

مكان العمل: المنطقة الشرقية

اسم صاحب العمل: شركة نباتات للمقاولات



يجب التحقق
من الرمز السريع
قبل اعتماد
التعامل مع الهوية





PAKISTAN

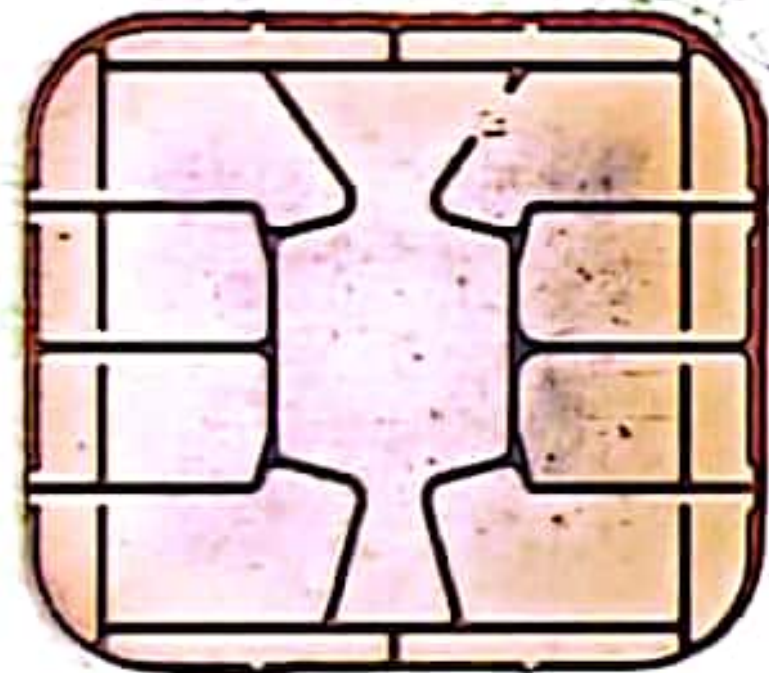
GOVERNMENT OF PAKISTAN GOVERNMENT OF PAKISTAN GOVERNMENT

ISLAMIC REPUBLIC OF PAKISTAN

National Identity Card



Name
Yasir Mehboob



Father Name
Mahboob Ahmed

Gender **Country of Stay**
M **Pakistan**

Identity Number **Date of Birth**
37201-6372837-1 **28.11.1991**

Date of Issue **Date of Expiry**
21.09.2017 **21.09.2027**

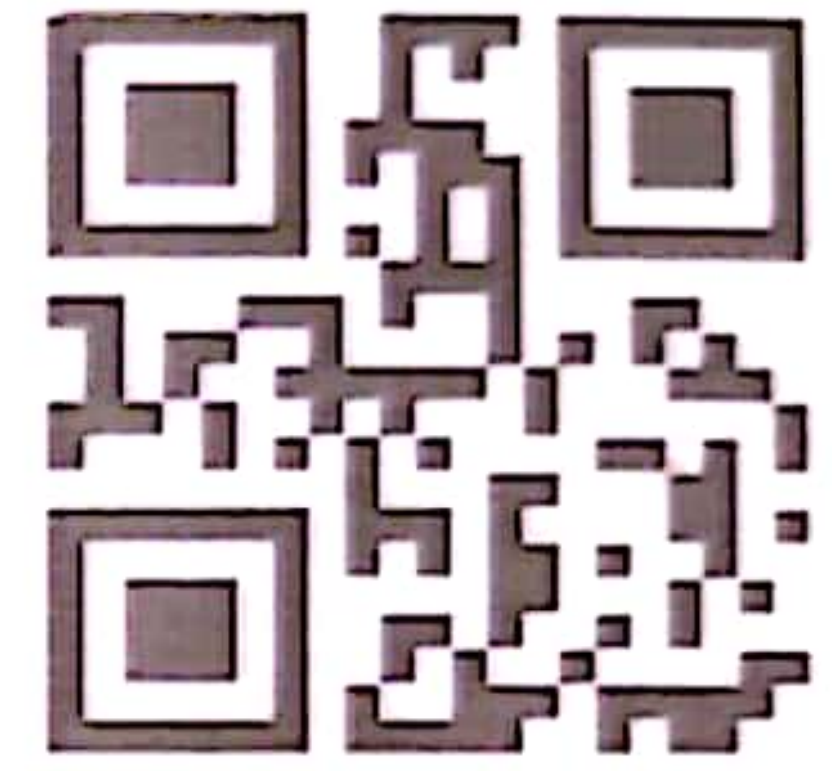


Holder's Signature

37720

موجودہ پتہ: مکان نمبر MCB-18/314، محلہ رہنمائی، چکوال

37201-6372837-1



مستقل پتہ: مکان نمبر MCB-18/314، محلہ رہنمائی، چکوال

Usman K. Moini

102101319335

Registrar General of Pakistan

گمشدہ کارڈ ملنے پر قریبی لیڈ بکس میں ڈال دیں



Issue Date: 15-11-2021



Certificate No. VF9145763

IMMUNIZATION CERTIFICATE FOR COVID-19

Name Yasir Mehboob
Date of Birth 28-11-1991 CNIC / Identity No. 37201-6372837-1
Nationality Pakistan Passport No. _____



has been administered following **COVID-19** vaccine:

Vaccine Name	Recommended Dosage	Dose	Date	Health Center	Manufacturer & Batch No
CoronaVac-SinoVac	2	1	10-06-2021	DHQ LandiKotal	Sinovac Lifesciences Co Ltd - Beijing Kexing Zhongwei Biotechnology 2021050110
CoronaVac-SinoVac	2	2	26-07-2021	DHQ LandiKotal	Sinovac Lifesciences Co Ltd - Beijing Kexing Zhongwei Biotechnology 202106077N
Vaxzevria-AstraZeneca	2	3	31-01-2022	DHQ LandiKotal	SK Bioscience 210352
Pfizer-BioNTech	2	4	16-07-2022	DHQ Hospital CHAKWAL	Pfizer-BioNTech 33010BD



Scan for more details

MINISTRY OF NATIONAL HEALTH
SERVICES REGULATIONS & COORDINATION
Issuing Authority

Under Section 23-Pakistan Citizenship Rules

No. CWL-4-2019-260

APPENDIX-XIV

Submission Date: 9-4-2019

FORM 'P-1'

Issue Date: 9-4-2019

The Pakistan Citizenship Act, 1951(II OF 1951)

and the rules made there under or (vide rule 23)

CERTIFICATE OF DOMICILEWhereas YASIR MEHBOOB AHMED S/O MEHBOOB AHMED

has applied for the grant of a certificate of domicile under the Pakistan Citizenship Act, 1951 (II of 1951), alleging with respect to himself / herself the particulars setout below and has satisfied the undersigned that the conditions laid down in Section 17 of the said Act for the grant of a Certificate of Domicile are fulfilled in the said

YASIR MEHBOOB AHMED case.

NOW, Therefore, in pursuance of the powers conferred by the said Act and the rules made there under, the undersigned hereby grants to the said YASIR MEHBOOB AHMED this Certificate of Domicile.

In Witness whereof, I have hereto subscribed my name this day of 9-4-2019 and Domicile No is CWL-4-2019-260.



Assistant Commissioner
for Deputy Commissioner,
Chakwal

FULL PARTICULARS RELATING TO THE APPLICANTFull Name YASIR MEHBOOB AHMEDS/O MEHBOOB AHMEDAddress in Pakistan H:NO. MCB-18/314, MOH: REHMANIA CHAKWAL, TEH & DISTTPlace of Domicile CHAKWAL
CHAKWAL(Domicile) Tehsil Chakwal town District Chakwal Prov/Admn:PUNJABDate of Arrival in Place of Domicile Since Birth D.o.B 28-11-1991Married/Single/Widow/Widower Single CNIC 3720163728371Name of Wife or Husband N/AName of Children and their Ages N/ATrade or Occupation StudentMark of Identification NIL

Assistant Commissioner
for Deputy Commissioner,
Chakwal